

# RISO ME 9350



**1** or **2**  
Colour Printing



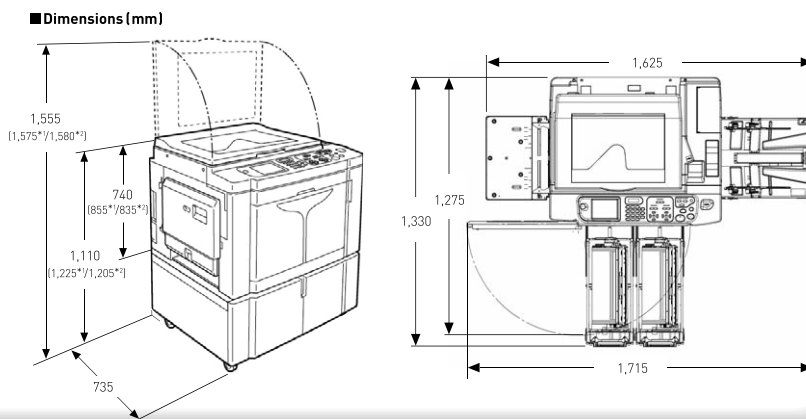
**Streamline your work  
with the benefits of two-colour  
printing.**

# RISO ME 9350

Specifications are subject to change without notice. Details may vary depending on the region.

- \*1 When installed with RISO Auto document feeder DX-1.
- \*2 When installed with RISO Auto document feeder AF-VI:II.

Note: All dimensions are when installed with RISO stand D type (II).



## RISO ME9350 Specifications


<b>Master-making/printing methods</b>	High-speed digital master-making/full automatic stencil printing	
<b>Original Type</b>	Book (10 kg [22 lb] or less), sheet	
<b>Resolution</b>	Scanning resolution:	600 dpi × 600 dpi
	Printing image resolution:	600 dpi × 600 dpi
<b>Original Size (min./max.)</b>	When using the Glass Platen:	50 mm × 90 mm (1 <sup>31</sup> / <sub>32</sub> " × 3 <sup>17</sup> / <sub>32</sub> " ) - 310 mm × 432 mm (12 <sup>7</sup> / <sub>32</sub> " × 17")
	When using the Auto Document Feeder AF-VI:II (option):	100 mm × 148 mm (3 <sup>15</sup> / <sub>16</sub> " × 5 <sup>13</sup> / <sub>16</sub> " ) - 310 mm × 432 mm (12 <sup>7</sup> / <sub>32</sub> " × 17")
	When using the Auto Document Feeder DX-1 (option):	105 mm × 128 mm (4 <sup>1</sup> / <sub>8</sub> " × 5 <sup>1</sup> / <sub>32</sub> " ) - 297 mm × 432 mm (11 <sup>11</sup> / <sub>16</sub> " × 17")
<b>Original Paper Weight</b>	When using the Auto Document Feeder AF-VI:II (option):	50 gsm (13-lb bond) - 128 gsm (34-lb bond)
	When using the Auto Document Feeder DX-1 (option):	Single-sided feeding: 40 gsm (11-lb bond) - 128 gsm (34-lb bond) Duplex-sided feeding: 52 gsm (14-lb bond) - 105 gsm (28-lb bond)
<b>Printing Paper Size (min./max.)</b>	Minimum size	
	- Dual-Color Print	182 mm × 257 mm (7 <sup>5</sup> / <sub>32</sub> " × 10 <sup>1</sup> / <sub>8</sub> " )
	- Mono-Color Print (with Print Drum 1)	100 mm × 148 mm (3 <sup>15</sup> / <sub>16</sub> " × 5 <sup>13</sup> / <sub>16</sub> " )
	- Mono-Color Print (with Print Drum 2)	182 mm × 257 mm (7 <sup>5</sup> / <sub>32</sub> " × 10 <sup>1</sup> / <sub>8</sub> " )
	Maximum size	320 mm × 432 mm (12 <sup>19</sup> / <sub>32</sub> " × 17")*
	*Paper up to 555 mm (21 <sup>7</sup> / <sub>32</sub> " ) from top to bottom may be used in the Extended Paper mode.	
<b>Paper Supply Capacity</b>	Approx. 1,000 sheets (80 gsm [21-lb bond]) /Maximum Height 110 mm (4 <sup>11</sup> / <sub>32</sub> " )	
<b>Paper Receiving Capacity</b>	Approx. 1,000 sheets (80 gsm [21-lb bond]) /Maximum Height 110 mm (4 <sup>11</sup> / <sub>32</sub> " )	
<b>Printing Paper Weight</b>	46 gsm (12-lb bond) - 210 gsm (110-lb index)	
<b>Image Processing Mode</b>	Line, Photo (Standard/Portrait/Group), Duo (Line/Photo/Shadow off), Pencil (Darker/Lighter)	
<b>Master-making Time (for A4/short edge feed/ 100% reproduction ratio)</b>	Approx. 57 seconds (for Dual-Color print) Approx. 24 seconds (for Mono-Color print (Drum 1)) Approx. 34 seconds (for Mono-Color print (Drum 2, when Print Drum 1 is not set))	
<b>Printing Area (max.)</b>	291 mm × 413 mm (11 <sup>15</sup> / <sub>32</sub> " × 16 <sup>1</sup> / <sub>4</sub> " )	
<b>Print Reproduction Ratio</b>	Zoom: 50 - 200% Standard reproduction ratio (enlargement): 163%, 141%, 122%, 116% Standard reproduction ratio (reduction): 87%, 82%, 71%, 61% Margin+: 90 - 99%	
<b>Print Speed</b>	60 - 120 sheets per minute (Control panel: five steps variable) /150 sheets per minute (Touch panel: "High Speed")	
<b>Print Position Adjustment</b>	Vertical: ±15 mm (± <sup>19</sup> / <sub>32</sub> " ) Horizontal: ±10 mm (± <sup>25</sup> / <sub>64</sub> " )	
<b>Ink Supply</b>	Fully automatic (1,000 ml per cartridge)	
<b>Master Supply/Disposal</b>	Fully automatic (approx. 220 sheets per roll)	
<b>Master Disposal Capacity</b>	80 sheets per box	
<b>User Interface</b>	LCD Touch Panel with Progress Arrow indicators	
<b>Operating Noise</b>	Max. 66 dB(A) (when printing 100 sheets per minute)	
<b>Power Source</b>	ME9350E: AC 220-240 V, 50-60 Hz <3.0 A> / ME9350A: AC 100-240 V, 50-60 Hz <7.3-3.0 A>	
<b>Power Consumption (without option)</b>	Max. 600 W (100 V) / 580 W (220 V) At Ready: approx. 53 W (100 V, 220 V) At Sleep: approx. 2.0 W (100 V, 220 V)	
<b>Functions</b>	Print Mode (Dual-color/Mono-color), Auto Document Feeder (optional), Direct Print, Scanning Contrast (Manual/Auto), Paper Size detection, Auto-Process, Dot Process (4 types), Contrast Adjustment, Tone Curve, Ink Saving, Multi-Up Print (2 up/Single-Original/ Multiple-Original/Multi-Up Tickets), Layout, Book Shadow, Top Margin, Binding Margin, Max. Scan, Easy 2-Color, Preview, OneSide MasterMake, Print Speed Adjustment, Print Density Adjustment, Print Position Adjustment, 1-2 Alignment, Proof, Double Feed Check, Interval Printing, Jump Wing Control, Special Paper Control, User Management, Programmed Printing (3 types), Job Memory, Confidential mode, Reservation, Idling, Renew Page, Output Reversal, ADF Semi-Auto (with optional ADF unit installed), Scanning Side (with optional ADF DX-1), Rotate, ID Counter Report, My Direct Access, Admin. Mode, Auto 90° Rotation, SW. Color, Energy Saving Mode (Auto Sleep, Auto Power-OFF), Editor, Direct Access Entry, Selections Entry, Custom Paper Entry, Protect, Scan Mode (with optional memory card or USB Flash Drive), Storage memory (with optional memory card), USB Job List (with USB Flash Drive), Overlay (with optional memory card or USB Flash Drive), Stamp, Management of Consumables, RISO i Quality System	
<b>Dimensions</b>	When in use: 1,625 mm [W] × 735 mm [D] × 740 mm [H] (63 <sup>31</sup> / <sub>32</sub> " [W] × 28 <sup>15</sup> / <sub>16</sub> " [D] × 29 <sup>1</sup> / <sub>8</sub> " [H]) When in storage: 1,005 mm [W] × 735 mm [D] × 740 mm [H] (39 <sup>9</sup> / <sub>16</sub> " [W] × 28 <sup>15</sup> / <sub>16</sub> " [D] × 29 <sup>1</sup> / <sub>8</sub> " [H])	
<b>Required Space*1</b>	1,715 mm [W] × 1,330 mm [D] × 1,555 mm [H] (67 <sup>17</sup> / <sub>32</sub> " [W] × 52 <sup>7</sup> / <sub>8</sub> " [D] × 61 <sup>7</sup> / <sub>32</sub> " [H])	
<b>Weight*2</b>	Approx. 170 kg (375 lb)	
<b>Safety Standard</b>	IEC-60950-1 compliant, Indoor, pollution degree 2*3, At altitudes of 2,000 m or lower	

Note: □ Please note that due to improvements and changes to the machine, some images and explanations in this manual may not correspond to your machine.  
□ The specifications are subject to change without prior notice.

\*1 The height includes the height of the RISO stand D type (II).

\*2 The weight does not include Ink and Master.

\*3 The pollution degree of the usage environment due to dirt and dust in the air. Degree "2" corresponds to general indoor environment.

RISO logo, RISO i QualitySystem™ and  are either registered trademarks or trademarks of RISO KAGAKU CORPORATION. Adobe and PostScript are either registered trademarks or trademarks of Adobe Systems Incorporated in the United States and/or other countries. Mac OS is a trademark of Apple, Inc.



**Riso Africa (Pty) Ltd**  
**154 Lechwe Avenue, Corporate Park South, Midrand**  
**JHB: +27 11 314 0562 | CT: +27 21 856 0581**  
**F: +27 11 314 0700**  
**E: marketing@risoafrika.co.za**